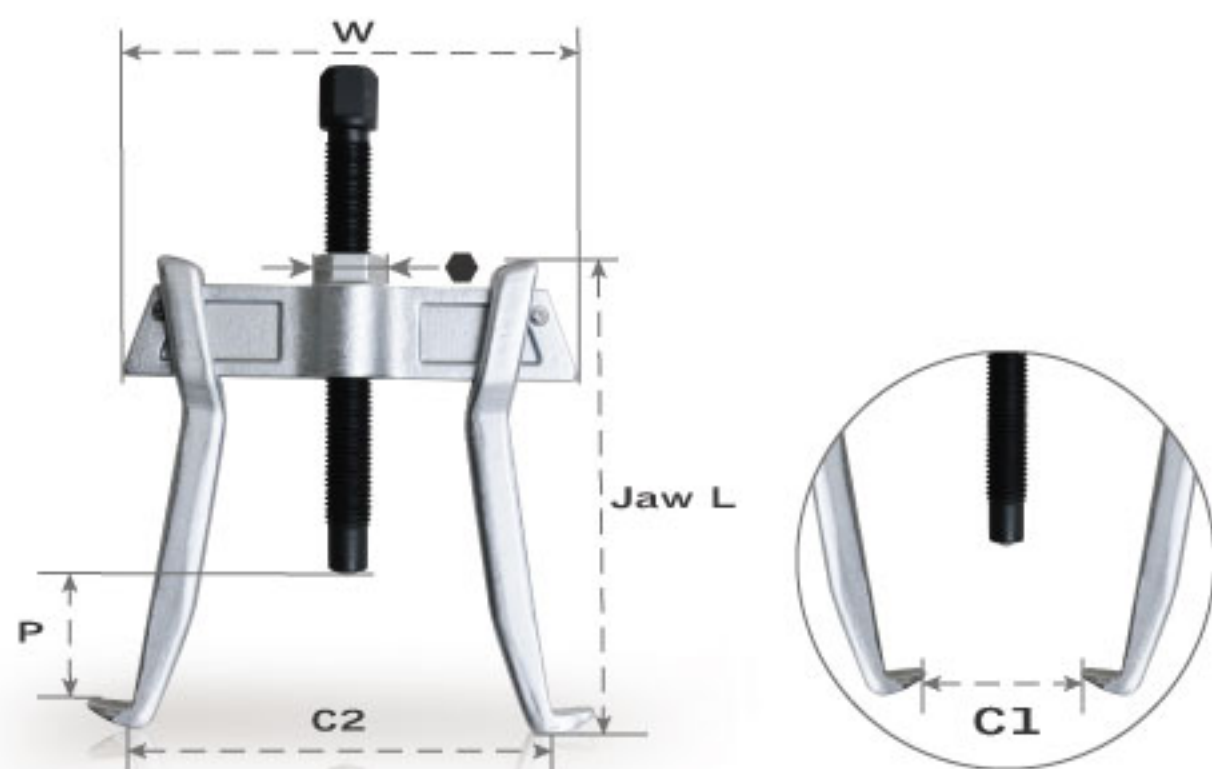




2-JAW PULLER

- Raw material: CR-M0, Drop Forged
- Finishing: Chrome Plated
- Features:
 - .Reversible leg → Inside grip/ Outside grip
 - .Anti-rotation design to make work safe and efficient
 - .Retainer spring pin to prevent the legs from sliding off



CHILI	C1 mm	C2 mm	P mm	mm	W mm	Max. Ton	Spindle (mm)			Jaw (mm)	kg	1/20
							mm	L	Φ	L		
MP1265-65	30-65	65-90	65	16	115	1.5 ↑	13	130	M12x1.75	100	0.44	1/40
MP1290-100	60-90	86-95	100	21	147	3 ↑	17	180	M16x2	153	0.95	1/20
MP12130-100	60-130	86-135	100	21	188	3 ↑	17	180	M16x2	153	1.05	1/20
MP12160-145	86-160	127-170	145	27	253	4 ↑	17	280	M20x2.5	225	2.9	1/5
MP12210-145	86-210	127-220	145	27	300	4 ↑	17	280	M20x2.5	225	3.2	1/5
MP12265-190	100-265	148-275	190	36	384	5 ↑	21	345	M27x3	300	7.5	1/2
MP12340-190	100-340	148-345	190	36	450	5 ↑	21	345	M27x3	300	8.2	1/2

Packing way : carton

3-JAW PULLER

- Raw material: CR-M0, Drop Forged
- Finishing: Chrome Plated
- Features:
 - .Self-gripping by rotate the central screw

CHILI	C1 mm	P mm	Spindle mm	Max. Ton	kg	1/20
MP13180-105	180	105	M14x1.5	3 ↑	1.95	1/1
MP13280-150	280	150	M22x2	5 ↑	4.73	1/1
MP13400-230	400	230	M22x2	7 ↑	5.93	1/1

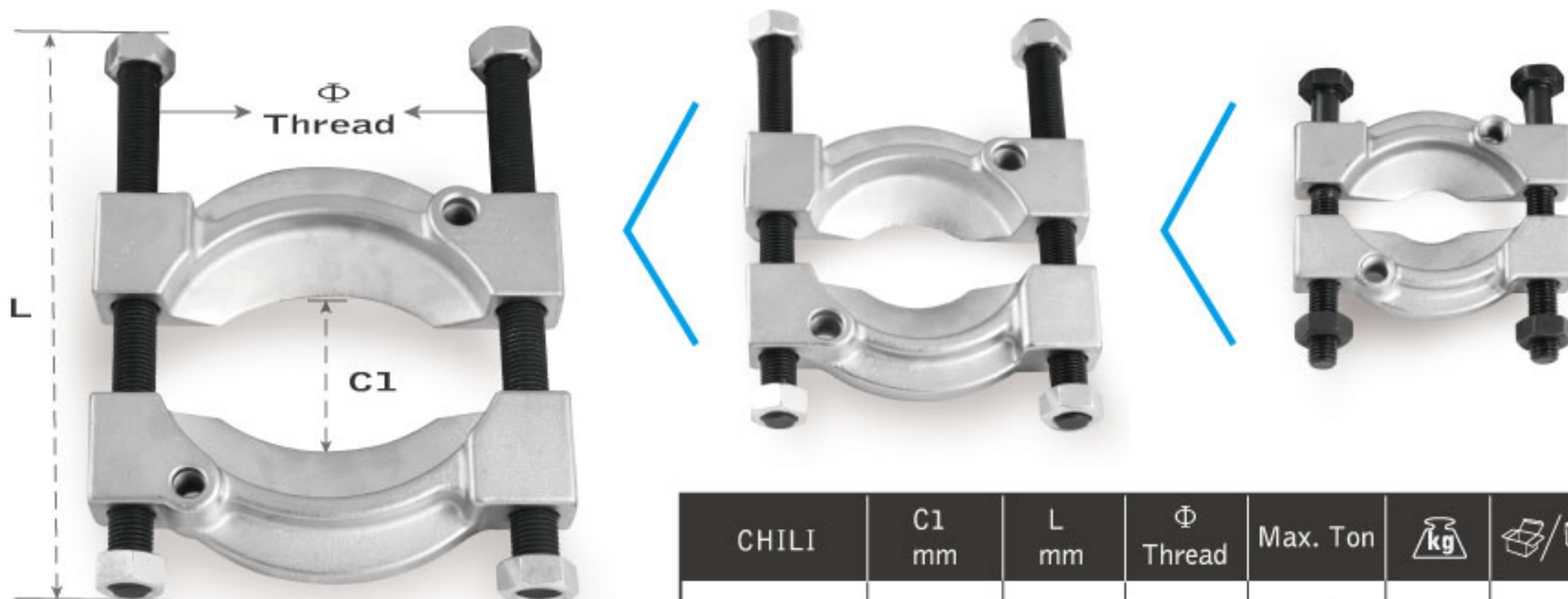
Packing way : carton





PULLER SEPARATOR

- Raw material: CR-MO, Drop Forged
- Finishing: Chrome Plated

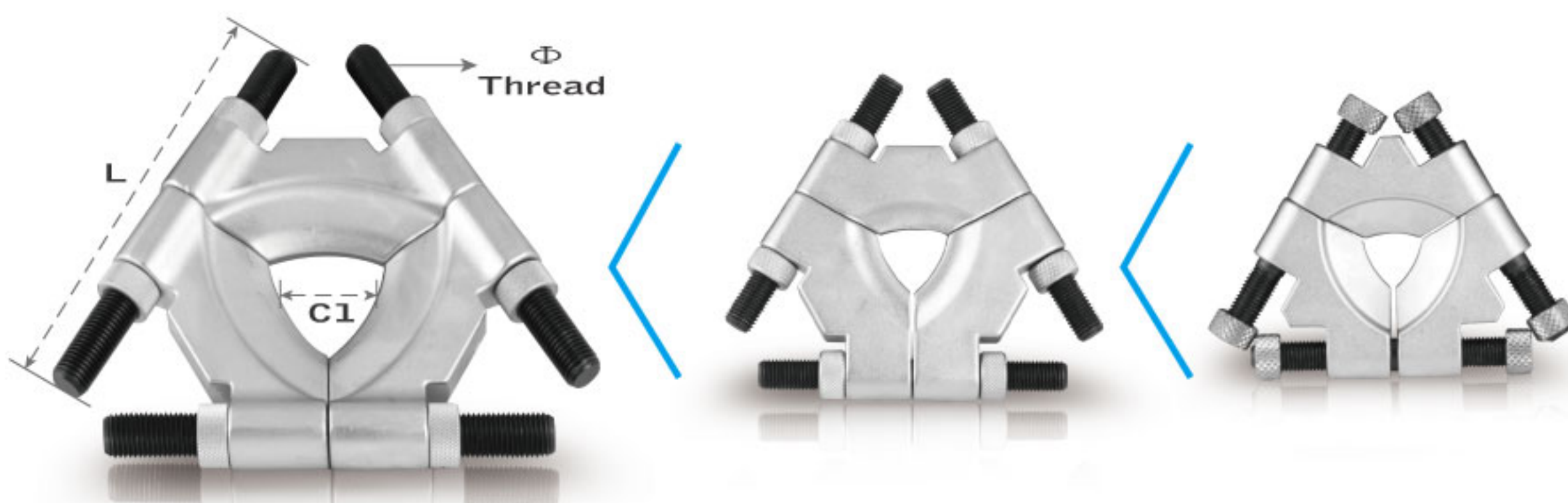


CHILI	C1 mm	L mm	Φ Thread	Max. Ton	kg	Box/Case
MP32-60	5-60	91	M12	5 ↑	0.6	1/20
MP32-110	15-110	153	M16	10 ↑	2.3	1/10
MP32-150	15-150	204	M20	15 ↑	5.1	1/5
MP32-170	35-170	289	M20	15 ↑	4.7	1/5
MP32-180	20-180	289	M22	20 ↑	8.8	1/2
MP32-250	25-250	316	M22	25 ↑	11.3	1/2

Packing way : carton

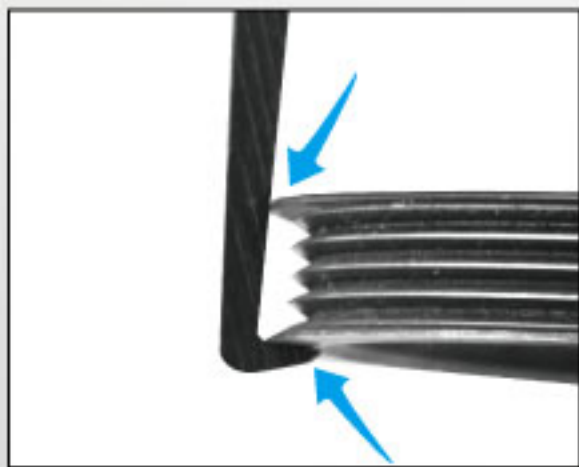
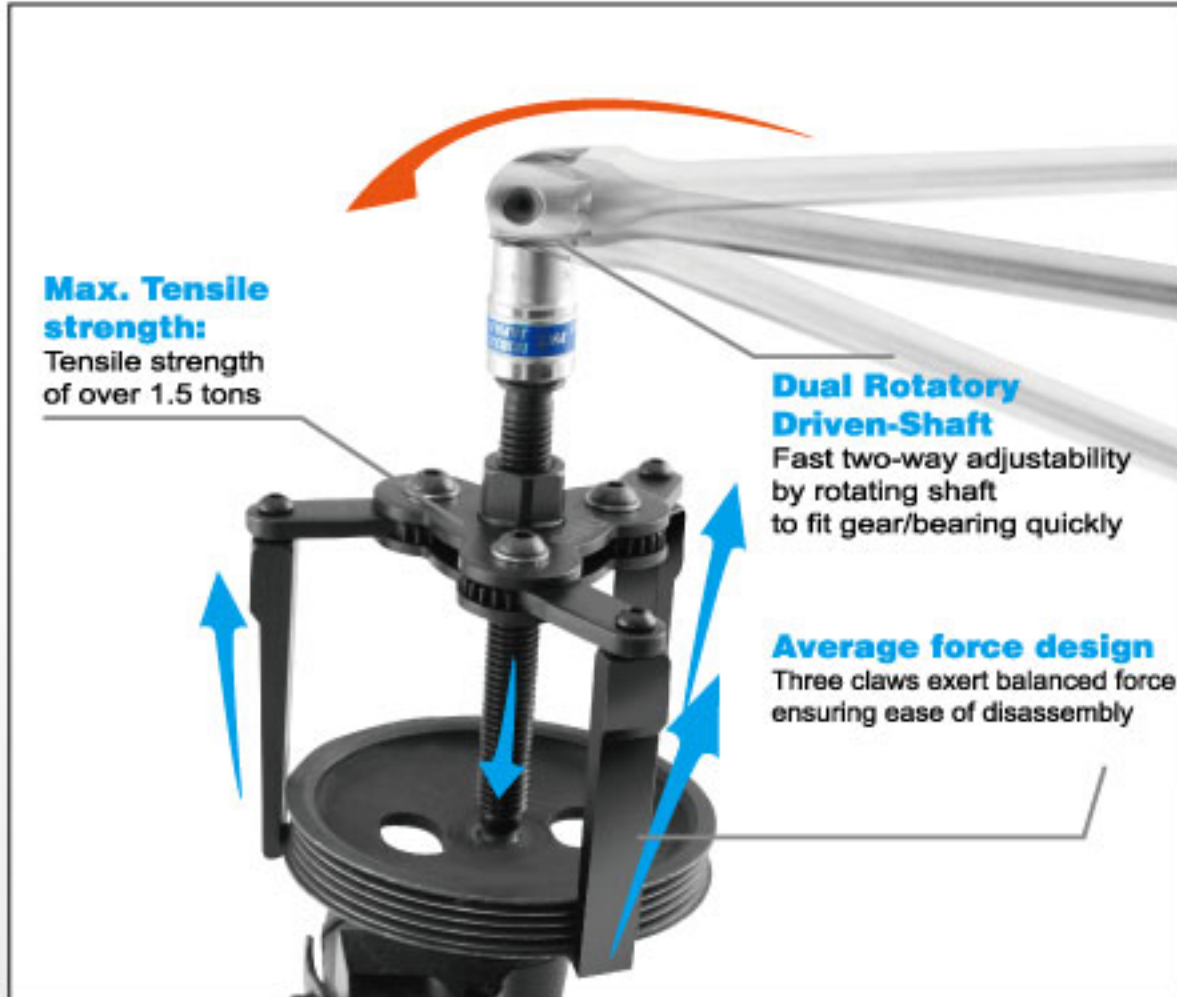
PULLER TRISECTION PLATE

- Raw material: CR-MO, Drop Forged
- Finishing: Chrome Plated

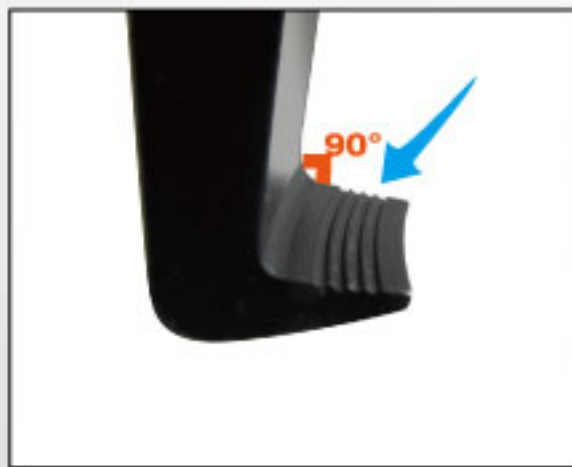


CHILI	C1 mm	L mm	Φ Thread	Max. Ton	kg	Box/Case
MP33-50	15-50	88	M10	15 ↑	0.5	1/10
MP33-100	26-100	154	M16	20 ↑	2.25	1/10
MP33-160	50-160	228	M22	25 ↑	5.8	1/5

Packing way : carton



100% Contact:
Claws hold gear/bearing with 100% contact between surfaces



Grip:
Grooved claw design enables tight non-slip grip



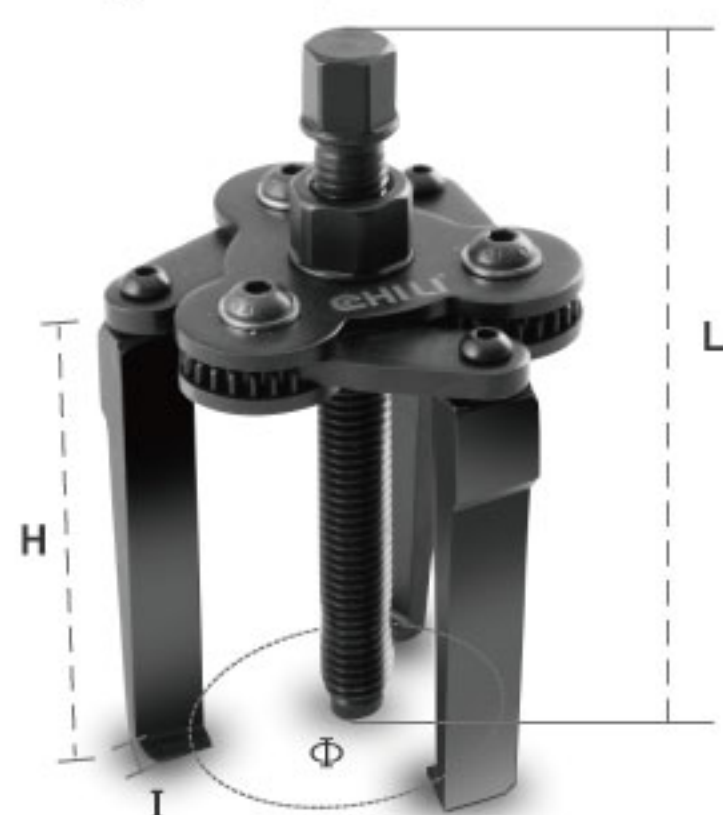
HD Material & Heat treatment :
Heavy-duty clamp, gear and body structure for long lasting use





GEAR PULLER

- Raw material: CR-MO
- Finishing: Phosphate Sunk



MP1135-100



MP1135-55



MP1135-30

CHILI	Φ mm	H mm	I mm	L mm	mm	Pull Force kg	kg	Box
MP1194-63	26 ~ 94	63	8	100	17	1200 ↑	0.90	1/20
MP1135-30	64 ~ 135	30	8	50	11	1500 ↑	0.70	1/20
MP1135-55	64 ~ 135	55	8	100	17	1500 ↑	0.93	1/20
MP1135-100	64 ~ 135	100	8	150	17	1500 ↑	1.06	1/20
MP1180-55	125 ~ 180	55	8	100	17	1500 ↑	0.97	1/20
MP1180-100	125 ~ 180	100	8	150	17	1500 ↑	1.10	1/20

Packing way: kraft box

BRASS SCRAPER

- Raw material: Brass
- Grip material: Beech
- Finishing: Mirror Polished + Clear Varnished
- Features:

- .Partial blade with double-riveted handle design.
- .Solid spring tempered brass, non-spark, non-magnetic and corrosion-resistant for use in hazardous environments
- .Use of wooden handles guards against melting on hot molds during work
- .Sharp chisel tips with long handles for easier application to hard-to-reach scraping work
- .Brass blades ensure scratch-free work on any surface particularly for molds and delicate spare parts

CHILI	Blade			L (mm)	g	Box
	inch / mm	T(mm)				
NBDSW-.7D	3/4 19	1.5		295	122	12/144
NBDSW-1.2	1-1/4 32	1.5		295	138	12/144
NBDSW-1.2D	1-1/4 32	1.5		295	136	12/144
NBDSW-1.2H	1-1/4 32	3		1133	590	-
NBDSW-3.2	4 80	1.5		310	198	12/72

