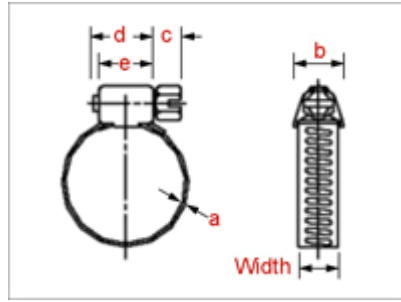


HF-2101 Hose Clamps

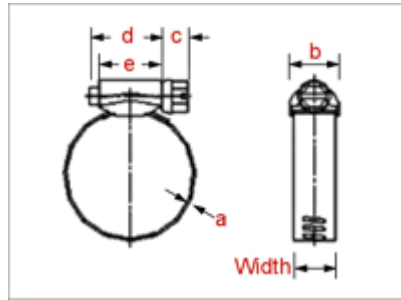


Width	a	b	c	d	e
8.0mm	0.6	10	6.2	12.5	11

These series of products are the common type of the Hose Clamps. They are of different width and thickness. This style with 8mm width band and the thickness is 0.6mm. The material of the products are Galvanized, #300 series Stainless and #400 series Stainless.

SIZE	NO.	MM	Packing List				
			Pcs/Box	Pcs/ctn	N.W.	G.W.	CUFT
HF-2101 Band Width 8mm							
1/2"		8-13	200pcs	2000pcs	10.4kgs	11.4kgs	0.61'
5/8"	4	10-16	200pcs	2000pcs	11.0kgs	12.0kgs	0.61'
3/4"	6	13-19	200pcs	2000pcs	11.3kgs	12.3kgs	0.84'
7/8"	8	16-23	200pcs	2000pcs	11.9kgs	12.9kgs	0.84'
1"		13-26	200pcs	2000pcs	13.3kgs	14.3kgs	1.23'

HF-2202 Hose Clamps

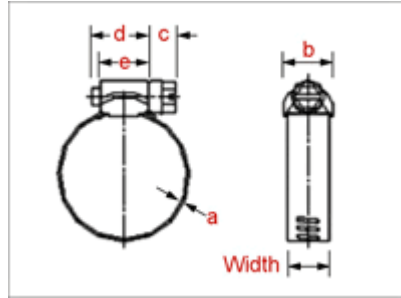


Width	a	b	c	d	e
12.7mm	0.7	15	8	22	19

These series of products are the common type of the Hose Clamps. They are of different width and thickness. This style with 12.7mm width band and the thickness is 0.7mm. The material of the products are Galvanized, #300 series Stainless and #400 series Stainless. All of the Galvanized Steel have Zinc Plated.

SIZE	NO.	MM	Packing List				
			Pcs/Box	Pcs/ctn	N.W.	G.W.	CUFT
HF-2202 Band Width 12.7mm							
1 3/8"		23-36	100pcs	1000pcs	21.0kgs	22.6kgs	1.47'
1 1/2"	16	21-38	100pcs	1000pcs	21.8kgs	23.4kgs	1.47'
1 5/8"		19-42	100pcs	1000pcs	22.0kgs	24.0kgs	1.94'
1 3/4"	20	19-44	100pcs	1000pcs	22.3kgs	24.3kgs	1.94'
1 7/8"		29-47	100pcs	1000pcs	22.8kgs	25.1kgs	2.36'
2"	24	32-51	100pcs	1000pcs	24.0kgs	26.3kgs	2.36'
2 1/4"	28	38-57	100pcs	1000pcs	24.3kgs	27.1kgs	2.50'
2 5/16"		38-59	100pcs	1000pcs	24.4kgs	27.3kgs	2.50'
2 1/2"	32	40-64	100pcs	1000pcs	24.8kgs	27.6kgs	3.42'
2 3/4"	36	46-70	100pcs	1000pcs	26.0kgs	28.8kgs	3.42'
2 7/8"		51-73	100pcs	1000pcs	26.5kgs	29.3kgs	3.60'
3"	40	57-76	50pcs	500pcs	13.5kgs	15.8kgs	2.36'
3 1/4"	44	67-83	50pcs	500pcs	14.1kgs	16.4kgs	2.36'
3 1/2"	48	65-89	50pcs	500pcs	14.6kgs	16.9kgs	2.50'
3 3/4"	52	72-95	50pcs	500pcs	15.1kgs	17.4kgs	2.50'
4"	56	78-101	50pcs	500pcs	16.0kgs	18.8kgs	3.42'
4 1/4"	60	84-108	50pcs	500pcs	16.1kgs	19.2kgs	3.42'
4 5/16"		92-110	50pcs	500pcs	17.0kgs	19.8kgs	3.42'
4 1/2"	64	91-114	50pcs	500pcs	17.0kgs	19.8kgs	3.42'
4 3/4"	68	105-121	50pcs	500pcs	17.1kgs	19.9kgs	3.42'
5"	72	105-127	50pcs	500pcs	18.0kgs	20.8kgs	3.60'
5 1/2"	80	118-140	50pcs	500pcs	20.0kgs	21.5kgs	3.60'
6"	88	130-152	50pcs	500pcs	23.4kgs	24.9kgs	4.00'
6 1/2"	96	141-165	50pcs	500pcs	24.1kgs	25.6kgs	4.50'
7"	104	156-178	50pcs	500pcs	25.6kgs	27.1kgs	4.50'
8"	120	165-203	50pcs	500pcs	28.4kgs	29.9kgs	5.30'

HF-2203 Hose Clamps

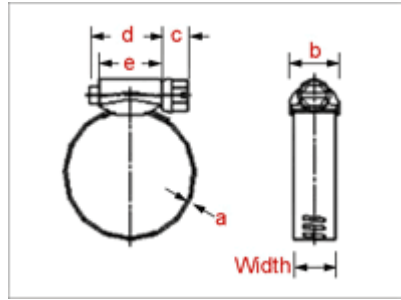


Width	a	b	c	d	e
12.7mm	0.6	15	8	17	15

These series of products are the common type of the Hose Clamps. They are of different width and thickness. This style with 12.7mm width band and the thickness is 0.6mm. The material of the products are Galvanized Steel. All of the Galvanized Steel have Zinc Plated.

SIZE	NO.	MM	Packing List				
			Pcs/Box	Pcs/ctn	N.W.	G.W.	CUFT
HF-2203 Band Width 12.7mm							
1/2"		8-13	100pcs	1000pcs	14.1kgs	15.1kgs	0.61'
5/8"	4	10-16	100pcs	1000pcs	14.2kgs	15.2kgs	0.61'
3/4"	6	13-19	100pcs	1000pcs	15.4kgs	16.4kgs	0.84'
7/8"	8	16-23	100pcs	1000pcs	15.5kgs	16.5kgs	1.23'
1"	10	19-27	100pcs	1000pcs	15.7kgs	16.7kgs	1.23'
1 3/16"		19-30	100pcs	1000pcs	16.0kgs	17.0kgs	1.32'
1 1/4"	12	16-32	100pcs	1000pcs	16.5kgs	17.5kgs	1.32'
1 3/8"		23-36	100pcs	1000pcs	17.3kgs	18.3kgs	1.32'
1 1/2"	16	21-38	100pcs	1000pcs	18.3kgs	19.3kgs	1.32'
1 5/8"		19-42	100pcs	1000pcs	18.6kgs	19.6kgs	1.47'
1 3/4"	20	19-44	100pcs	1000pcs	19.2kgs	20.7kgs	1.94'
1 7/8"		29-47	100pcs	1000pcs	19.5kgs	21.0kgs	1.94'
2"	24	32-51	100pcs	1000pcs	20.1kgs	21.6kgs	2.36'
2 1/4"	28	38-57	100pcs	1000pcs	21.5kgs	23.0kgs	2.50'
2 5/16"		38-59	100pcs	1000pcs	22.0kgs	23.5kgs	2.50'
2 1/2"	32	40-64	100pcs	1000pcs	22.5kgs	24.0kgs	2.50'
2 3/4"	36	46-70	100pcs	1000pcs	23.5kgs	25.0kgs	3.42'
3"	40	57-76	50pcs	500pcs	12.6kgs	14.1kgs	1.94'
3 1/2"	48	65-89	50pcs	500pcs	13.1kgs	14.6kgs	2.36'
4"	56	78-101	50pcs	500pcs	13.8kgs	15.3kgs	2.50'
4 1/2"	65	91-114	50pcs	500pcs	15.0kgs	16.5kgs	3.42'
5"	72	105-127	50pcs	500pcs	16.8kgs	18.3kgs	3.42'

HF-2907 Hose Clamps



Width	a	b	c	d	e
9.0mm	0.7	11.5	7	16.5	15

These series of products are the common type of the Hose Clamps. They are of different width and thickness. This style with 9mm width band and the thickness is 0.7mm. The material of the products are Galvanized, #300 series Stainless and #400 series Stainless.

SIZE	NO.	MM	Packing List				
			Pcs/Box	Pcs/ctn	N.W.	G.W.	CUFT
HF-2907 Band Width 9mm							
3/4"	6	13-19	200pcs	2000pcs	19.5kgs	20.5kgs	1.23'
7/8"	8	16-23	200pcs	2000pcs	20.0kgs	21.0kgs	1.23'
1"	10	13-16	200pcs	2000pcs	21.0kgs	22.0kgs	1.32'
1 1/4"	12	16-32	200pcs	2000pcs	23.6kgs	24.6kgs	1.47'
1 1/2"	16	21-38	200pcs	2000pcs	24.8kgs	26.3kgs	1.94'
1 3/4"	20	19-44	100pcs	1000pcs	14.0kgs	15.0kgs	1.32'
1 7/8"		29-47	100pcs	1000pcs	14.4kgs	15.4kgs	1.47'
2"	24	32-51	100pcs	1000pcs	14.6kgs	15.6kgs	1.47'
2 1/4"	28	33-57	100pcs	1000pcs	15.6kgs	16.6kgs	1.94'
2 5/16"		38-59	100pcs	1000pcs	16.3kgs	17.8kgs	1.94'
2 1/2"	32	40-64	100pcs	1000pcs	16.6kgs	18.0kgs	2.36'
3"	40	57-76	100pcs	1000pcs	19.0kgs	20.5kgs	2.50'
3 1/2"	48	65-89	100pcs	1000pcs	20.0kgs	21.5kgs	3.42'
4"	56	78-101	100pcs	1000pcs	22.1kgs	23.4kgs	3.42'

HF-2303 Butterfly Hose Clamps



When you don't have any screwdriver or tools at hand, you can use Hose Clamps easily. The piece of plastic, which is like a butterfly's wing, is added to the screw of the product. This piece of plastic can be used as a tool to screw and to adjust the Hose Clamps to make the product completely close to each other. There are two different kinds of materials, one is Stainless Steel and the other is Galvanized Steel.

SIZE	NO.	MM	PACKING				
			Pcs/Box	Pcs/ctn	N.W.	G.W.	CUFT
HF-2303 Butterfly Hose Clamps Band Width 8mm							
1/2"		8-13	200pcs	2000pcs	15.6kgs	16.6kgs	1.23'
5/8"	4	10-16	200pcs	2000pcs	16.1kgs	17.1kgs	1.23'
3/4"	6	13-19	200pcs	2000pcs	17.0kgs	18.0kgs	1.23'
7/8"	8	16-23	200pcs	2000pcs	17.3kgs	18.3kgs	1.32'
1"		13-26	200pcs	2000pcs	18.4kgs	19.4kgs	1.47'
HF-2303 Butterfly Hose Clamps Band Width 12.7mm							
3/4"	6	13-19	100pcs	1000pcs	18.6kgs	20.3kgs	1.23'
7/8"	8	16-23	100pcs	1000pcs	19.3kgs	20.8kgs	1.32'
1 1/16"	10	19-27	100pcs	1000pcs	19.8kgs	20.8kgs	1.47'
1 3/16"		19-30	100pcs	1000pcs	20.5kgs	21.5kgs	1.47'
1 1/4"	12	16-32	100pcs	1000pcs	20.6kgs	21.6kgs	1.47'
1 3/8"		23-36	100pcs	1000pcs	22.1kgs	23.6kgs	1.47'
1 1/2"	16	21-38	100pcs	1000pcs	22.7kgs	23.7kgs	1.47'
1 3/4"	20	19-44	100pcs	1000pcs	24.0kgs	25.0kgs	2.36'
1 7/8"		29-47	50pcs	500pcs	11.9kgs	12.9kgs	1.47'
2"	24	32-51	50pcs	500pcs	12.0kgs	13.0kgs	1.47'
2 1/4"	28	38-57	50pcs	500pcs	13.3kgs	14.3kgs	1.94'
2 1/2"	32	40-64	50pcs	500pcs	13.8kgs	14.8kgs	1.94'
2 3/4"	36	46-70	50pcs	500pcs	14.7kgs	15.7kgs	2.36'

HF-3111 Zebra Hose Clamps



Zebra type hose clamp also calls Germain type. The part of band is saw edged without a hole. There are two different kinds of materials, one is Galvanized Steel and the other is Stainless Steel.

SIZE		Packing List				
		Pcs/Box	Pcs/ctn	N.W.	G.W.	CUFT
Band width 9mm, Thickness 0.6mm						
1/2"	8-12 mm	200pcs	2000pcs	20.0kgs	21.0kgs	0.84'
5/8"	10-16 mm	200pcs	2000pcs	20.7kgs	21.7kgs	0.84'
3/4"	12-20 mm	200pcs	2000pcs	21.5kgs	22.5kgs	1.23'
7/8"	12-22 mm	200pcs	2000pcs	22.0kgs	23.0kgs	1.23'
1"	16-25 mm	200pcs	2000pcs	28.2kgs	29.2kgs	1.32'
1 1/16"	16-27 mm	200pcs	2000pcs	28.4kgs	29.4kgs	1.32'
1 1/4"	20-32 mm	100pcs	1000pcs	15.1kgs	16.1kgs	1.23'
1 3/8"	23-35 mm	100pcs	1000pcs	16.2kgs	17.2kgs	1.32'
1 1/2"	26-38 mm	100pcs	1000pcs	16.5kgs	17.5kgs	1.32'
1 5/8"	25-40 mm	100pcs	1000pcs	16.8kgs	17.8kgs	1.47'
1 3/4"	26-44 mm	100pcs	1000pcs	17.0kgs	18.0kgs	1.47'
2"	32-50 mm	100pcs	1000pcs	18.5kgs	20.0kgs	1.94'
2 3/8"	40-60 mm	100pcs	1000pcs	19.1kgs	20.6kgs	2.50'
2 3/4"	50-70 mm	100pcs	1000pcs	20.7kgs	22.2kgs	2.50'
3 1/8"	60-80 mm	50pcs	500pcs	11.6kgs	12.6kgs	1.95'

HF-6501 Wire Clamps



This series of product use two parallel wires as its binding wire, they can attach to your pipe more closely. If your pipe is of corrugated, this series of product will be your best choice the material is Galvanized Steel.

SIZE (Ø D)	Ø WIRE	Packing List				
		Pcs/Box	Pcs/Ctn	N.W.	G.W.	CUFT
HF-6501 WIRE CLAMPS						
10-13 mm	1.6 mm	200pcs	2000pcs	18.6kgs	19.8kgs	0.97'
14-16 mm		200pcs	2000pcs	19.4kgs	20.5kgs	0.97'
17-19 mm		200pcs	2000pcs	20.0kgs	21.2kgs	1.30'
20-22 mm	1.8 mm	200pcs	2000pcs	21.2kgs	22.4kgs	1.30'
23-25 mm		200pcs	2000pcs	21.5kgs	22.8kgs	1.30'
25-29 mm		200pcs	2000pcs	23.3kgs	24.7kgs	1.62'
28-32 mm	2.0 mm	100pcs	1000pcs	18.5kgs	19.8kgs	1.30'
34-38 mm		100pcs	1000pcs	19.5kgs	20.9kgs	1.62'
38-42 mm		100pcs	1000pcs	20.9kgs	22.5kgs	1.95'
44-48 mm		100pcs	1000pcs	21.7kgs	23.4kgs	1.95'
47-51 mm	2.3 mm	100pcs	1000pcs	26.4kgs	28.4kgs	2.73'
53-57 mm		100pcs	1000pcs	26.6kgs	28.6kgs	2.73'
58-64 mm		100pcs	1000pcs	30.0kgs	32.0kgs	2.73'
64-70 mm		100pcs	1000pcs	31.7kgs	33.7kgs	2.73'
71-77 mm		50pcs	500pcs	16.7kgs	18.2kgs	1.62'
77-83 mm		50pcs	500pcs	18.0kgs	19.6kgs	1.62'
83-89 mm		50pcs	500pcs	18.2kgs	19.8kgs	1.62'
89-95 mm		50pcs	500pcs	19.0kgs	20.6kgs	1.62'
94-102 mm		50pcs	500pcs	19.3kgs	21.0kgs	1.62'
100-108 mm		50pcs	500pcs	21.0kgs	22.6kgs	1.95'
106-114 mm		50pcs	500pcs	21.4kgs	23.1kgs	1.95'
113-121 mm		50pcs	500pcs	22.7kgs	24.4kgs	1.95'
119-127 mm		50pcs	500pcs	22.7kgs	24.4kgs	1.95'
125-133 mm		50pcs	500pcs	24.0kgs	26.0kgs	2.73'
132-140 mm	2.3 mm	50pcs	500pcs	24.0kgs	26.0kgs	2.73'
144-152 mm		50pcs	500pcs	28.0kgs	30.0kgs	3.22'

HF-4106 Wide Band Hose Clamps



This series of products can be choice if the torsion force of the common type of the Hose Clamp cannot meet your standard. Because it is of the best quality in its width and thickness. There are two different kinds of material, one is # 300 series Stainless Steel and the other is Galvanized Steel.

Size ψ (mm)	Band Width	Band Thickness	Bolt	Pcs/1Ctn	N.W.	G.W.	CUFT
17-19	18mm	0.6mm	M5	500	14.0	16.0	1.53
20-22				500	15.0	17.0	1.53
23-25				500	15.5	17.5	1.53
26-28				500	15.5	17.5	1.53
29-31	20mm	0.8mm	M6	500	24.0	26.0	1.53
32-35				500	25.0	27.0	1.53
36-39				500	25.5	27.5	1.53
40-43				500	26.5	28.5	1.53
44-47	22mm	1.2mm	M7	200	17.0	20.0	1.05
48-51				200	18.5	23.5	1.05
52-55				200	19.0	21.0	1.22
56-59				200	19.5	21.5	1.22
60-63				200	20.5	22.5	1.57
64-67				200	21.0	23.0	1.57
68-73	24mm	1.4mm	M8	100	15.0	17.0	0.99
74-79				100	15.0	17.0	1.11
80-85				100	16.0	18.0	1.28
86-91				100	16.5	18.5	1.51
92-97				100	18.0	20.0	1.63
98-103				100	18.0	20.0	1.84
104-112				100	18.5	20.5	2.01
113-121				100	19.0	21.0	2.01
122-130				100	19.5	21.5	2.01
131-139				26mm	1.6mm	M10	80
140-148	80	24.5	26.5				2.25
149-161	80	26.0	28.0				4.07
162-174	80	27.5	29.5				4.07
175-187	60	21.0	23.0				3.71
188-200	60	21.5	23.5				3.71
201-213	60	22.0	24.0				4.52
214-226	60	22.5	24.5				4.52
227-239	60	23.0	25.0				5.42
240-252	60	23.5	25.5				5.42

HF-3307 Fuel Injection Clamps



Specialize for any fuel injection application. It makes with 9mm width band and 0.6mm thickness. Manufacturing in a nut and bolt design, non-perforated band and zinc plated steel.

The Size is 13, 15, 16 and 17mm.

HF-8101 DIY Hose Clamps Set



HF-8101

The size of this kind of product can be changed according to the user. In this product, there are also 3 meters long and 8mm wide steel-resistance band and 8 sets of screw for one set. Our company also accepts those who only order screws or band part.

The material is general Stainless Steel.

HF-8101 pack 30 sets in a box, 180 sets in a carton, NW. 23.4kg, GW. 25.4kg.

HF-8201 DIY Hose Clamps Set



HF-8201

The size of this kind of product can be changed according to the user. In this product, there are also 3 meters long and 12.7mm wide steel-resistance band and 8 sets of screw for one set. Our company also accepts those who only order screws or band part.

The material is general Stainless Steel.

HF-8201 pack 20 sets in a box, 80 sets in a carton, NW. 24.0kg, GW. 25.0kg.

HF-8552 Wire Puller



Wire Puller is of 3 sizes, and there are two kinds of the surface processing, one is to plate iron zinc, the other is dark green stoking varnish. The sizes are 100 x 20mm, 100 x 25mm and 120 x 35mm. The material is Galvanized Steel.

HF-8804 & HF-8805 Hose Clamps Set



Packing both single size and assorted sizes in header pouch. The size of these header pouch fixed and the figures on the cards from our company are also fixed. If you have a specially but the size would have to be the same as ours. The size hedge about 1/2" to 3".

HF-8806 & HF-8807 Hose Clamps Set



The feature of this is put two Hose Clamps with the same size in one blister card. The whole set of product will attach on the card via automatic forming vacuum machine. The size of these cards fixed and the figures on the cards from our company are also fixed. If you have especial designed picture, our company can accept your supply of cards, but the size of card would have to be the same as ours. The size hedge about 1/2" to 3".

HF-8501 & HF-8601 Hose Clamps Set



HF-8501

HF-8601

The feature of this is put the different size of Hose Clamps in one blister card. The whole set of product will attach on the card via automatic forming vacuum machine. The size of these cards fixed and the figures on the cards from our company are also fixed. If you have a specially designed picture, our company can accept your supply of cards, but the size of card would have to be the same as ours. The size hedge about 1/2" to 3".

HF-8501 pack 24 sets in a box, 144 sets in a carton, NW. 17.6kg, GW. 19.8kg

HF-8601 pack 20 sets in a box, 120 sets in a carton, NW. 11.5kg, GW. 12.5kg

Easy Open Box



Easy Open Box

Plastic Box for Packing

Would you like your product to look more elegant? Then you can use our specially designed plastic box for packing. It can make these Hose Clamps look more exclusive and generous. You can choose 10pcs to 100pcs for 1 box. The size hedge about 1/2" to 4".