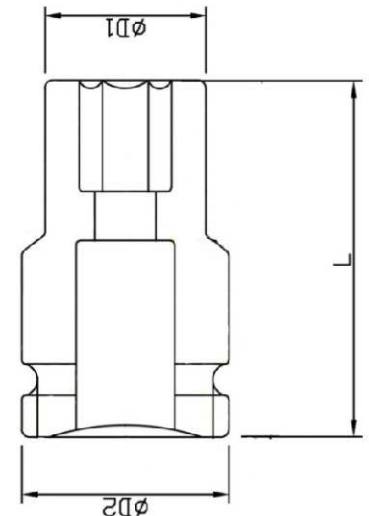
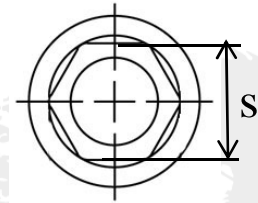


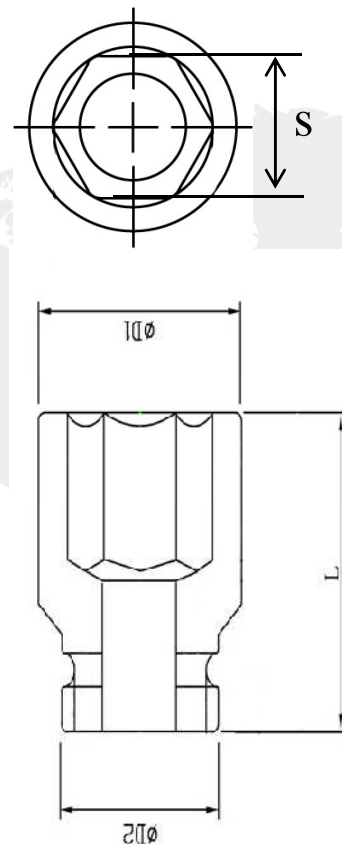
1" DR. long impact socket 1"長氣動套筒

ITEM NO.(型號)	SIZE(mm)	L(mm)	D1(mm)	D2(mm)	
PST1704419MD	19	90	36.0	54	
PST1704421MD	21		38.0	54	
PST1704422MD	22		40.0	54	
PST1704423MD	23		41.0	54	
PST1704424MD	24		42.0	54	
PST1704425MD	25		43.0	54	
PST1704426MD	26		45.0	54	
PST1704427MD	27		46.0	54	
PST1704428MD	28		47.0	54	
PST1704429MD	29		48.0	54	
PST1704430MD	30		50.0	54	
PST1704431MD	31		51.0	54	
PST1704432MD	32		52.0	54	
PST1704433MD	33		54.0	54	
PST1704434MD	34		55.0	54	
PST1704435MD	35		56.0	54	
PST1704436MD	36		57.0	54	
PST1704437MD	37		58.0	54	
PST1704438MD	38		60.0	54	
PST1704439MD	39		61.0	54	
PST1704440MD	40		62.0	54	
PST1704441MD	41		63.0	54	
PST1704442MD	42		65.0	54	
PST1704443MD	43		66.0	54	
PST1704444MD	44		67.0	54	
PST1704445MD	45		100	68.0	54
PST1704446MD	46		100	70.0	54
PST1704447MD	47		100	71.0	54
PST1704448MD	48		100	72.0	54
PST1704449MD	49		100	73.0	54
PST1704450MD	50		100	75.0	54
PST1704451MD	51		100	76.0	54
PST1704452MD	52		100	77.0	54
PST1704453MD	53	100	78.0	54	
PST1704454MD	54	100	80.0	54	
PST1704455MD	55	100	81.0	54	
PST1704456MD	56	105	82.0	54	
PST1704457MD	57	105	83.0	54	
PST1704458MD	58	105	85.0	54	
PST1704459MD	59	105	86.0	54	
PST1704460MD	60	105	87.0	54	
PST1704463MD	63	120	90.0	54	
PST1704465MD	65	120	93.0	54	
PST1704468MD	68	120	97.0	54	
PST1704470MD	70	125	100.0	54	
PST1704475MD	75	125	106.0	54	
PST1704480MD	80	125	112.0	85	
PST1704485MD	85	135	119.0	85	
PST1704490MD	90	135	125.0	85	



1" DR. standard impact socket 1"氣動套筒

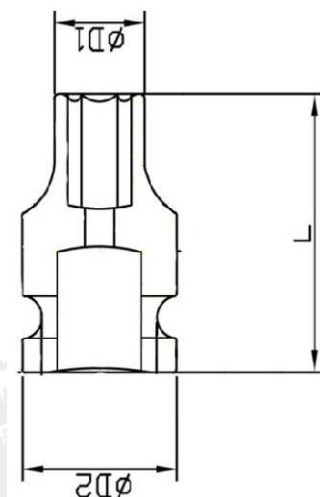
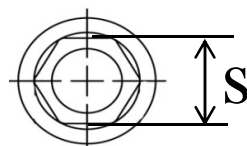
ITEM NO.(型號)	SIZE(mm)	L(mm)	D1(mm)	D2(mm)
PST1704419M	19	58	36.0	54
PST1704421M	21	58	38.0	54
PST1704422M	22	58	40.0	54
PST1704423M	23	58	41.0	54
PST1704424M	24	58	42.0	54
PST1704425M	25	58	43.0	54
PST1704426M	26	58	45.0	54
PST1704427M	27	58	46.0	54
PST1704428M	28	58	47.0	54
PST1704429M	29	60	48.0	54
PST1704430M	30	60	50.0	54
PST1704431M	31	60	51.0	54
PST1704432M	32	61	52.0	54
PST1704433M	33	61	54.0	54
PST1704434M	34	61	55.0	54
PST1704435M	35	65	56.0	54
PST1704436M	36	65	57.0	54
PST1704437M	37	65	58.0	54
PST1704438M	38	65	60.0	54
PST1704439M	39	65	61.0	54
PST1704440M	40	65	62.0	54
PST1704441M	41	65	63.0	54
PST1704442M	42	68	65.0	54
PST1704443M	43	68	66.0	54
PST1704444M	44	68	67.0	54
PST1704445M	45	70	68.0	54
PST1704446M	46	70	70.0	54
PST1704447M	47	70	71.0	54
PST1704448M	48	70	72.0	54
PST1704449M	49	72	73.0	54
PST1704450M	50	72	75.0	54
PST1704451M	51	80	76.0	54
PST1704452M	52	80	77.0	54
PST1704453M	53	80	78.0	54
PST1704454M	54	80	80.0	54
PST1704455M	55	85	81.0	54
PST1704456M	56	85	82.0	54
PST1704457M	57	85	83.0	54
PST1704458M	58	85	85.0	54
PST1704459M	59	85	86.0	54
PST1704460M	60	89	87.0	54
PST1704463M	63	89	90.0	54
PST1704465M	65	89	93.0	54
PST1704468M	68	93	97.0	54
PST1704470M	70	98	100.0	54
PST1704475M	75	100	106.0	54
PST1704480M	80	100	112.0	85
PST1704485M	85	102	119.0	85
PST1704490M	90	107	125.0	85



3/8" DR. standard impact socket 3/8"氣動套筒



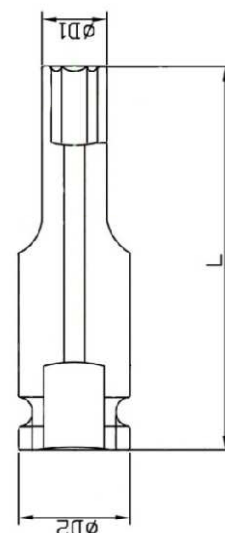
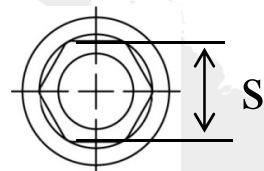
ITEM NO.(型號)	SIZE(mm)	L(mm)	D1(mm)	D2(mm)
PST1703806M	6	32	10.6	19.0
PST1703807M	7		12.5	19.0
PST1703808M	8		13.5	19.0
PST1703809M	9		14.5	19.0
PST1703810M	10		16.5	19.0
PST1703811M	11		17.5	19.0
PST1703812M	12		18.5	19.0
PST1703813M	13		20.0	22.0
PST1703814M	14		20.5	22.0
PST1703815M	15		24.0	22.0
PST1703816M	16		24.0	22.0
PST1703817M	17		26.0	22.0
PST1703818M	18		26.0	22.0
PST1703819M	19		28.0	22.0
PST1703820M	20		28.0	22.0
PST1703821M	21		30.0	22.0
PST1703822M	22		32.0	22.0
PST1703823M	23		34.0	22.0
PST1703824M	24		34.0	22.0



3/8" DR. long impact socket 3/8"長氣動套筒

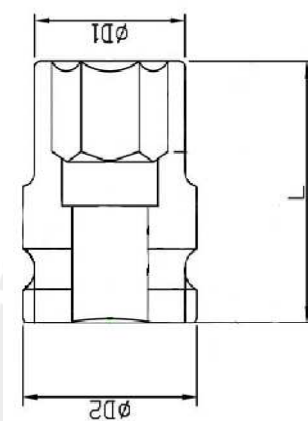
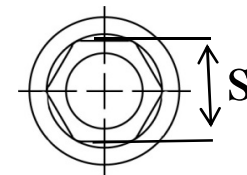


ITEM NO.(型號)	SIZE(mm)	L(mm)	D1(mm)	D2(mm)
PST1703806MD	6	63	10.6	19.0
PST1703807MD	7		12.5	19.0
PST1703808MD	8		13.5	19.0
PST1703809MD	9		14.5	19.0
PST1703810MD	10		16.5	19.0
PST1703811MD	11		17.5	19.0
PST1703812MD	12		18.5	19.0
PST1703813MD	13		20.0	22.0
PST1703814MD	14		20.5	22.0
PST1703815MD	15		24.0	22.0
PST1703816MD	16		24.0	22.0
PST1703817MD	17		26.0	22.0
PST1703818MD	18		26.0	22.0
PST1703819MD	19		28.0	22.0
PST1703820MD	20		28.0	22.0
PST1703821MD	21		30.0	22.0
PST1703822MD	22		32.0	22.0



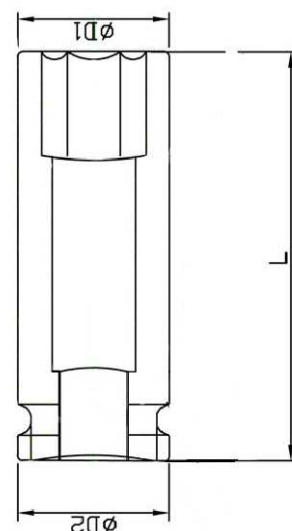
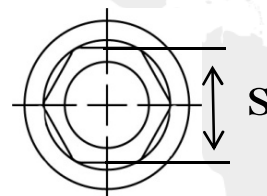
1/2" DR. standard impact socket 1/2" 氣動套筒

ITEM NO.(型號)	SIZE(mm)	L(mm)	D1(mm)	D2(mm)	
PST1701208M	8	38	14.0	25.0	
PST1701209M	9		15.0	25.0	
PST1701210M	10		17.0	25.0	
PST1701211M	11		18.0	25.0	
PST1701212M	12		19.0	25.0	
PST1701213M	13		21.0	25.0	
PST1701214M	14		22.0	25.0	
PST1701215M	15		23.0	30.0	
PST1701216M	16		24.0	30.0	
PST1701217M	17		26.0	30.0	
PST1701218M	18		27.0	30.0	
PST1701219M	19		28.0	30.0	
PST1701220M	20		29.0	30.0	
PST1701221M	21		29.8	29.8	
PST1701222M	22		31.8	30.0	
PST1701223M	23		31.8	30.0	
PST1701224M	24		40	33.8	30.0
PST1701227M	27		43	37.8	30.0
PST1701230M	30		43	41.8	30.0
PST1701232M	32		43	43.8	30.0



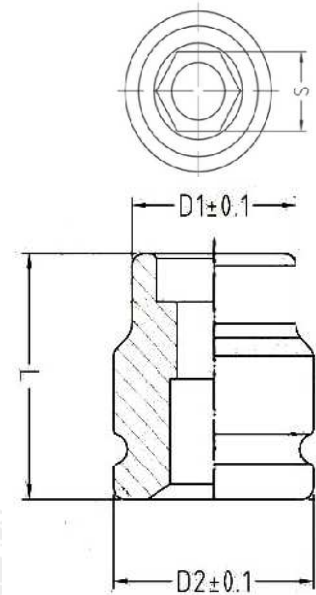
1/2" DR. long impact socket 1/2" 長氣動套筒

ITEM NO.(型號)	SIZE(mm)	L(mm)	D1(mm)	D2(mm)
PST1701208MD	8	78	14.0	25.0
PST1701209MD	9		15.0	25.0
PST1701210MD	10		17.0	25.0
PST1701211MD	11		18.0	25.0
PST1701212MD	12		19.0	25.0
PST1701213MD	13		20.0	25.0
PST1701214MD	14		22.0	25.0
PST1701215MD	15		23.0	30.0
PST1701216MD	16		24.0	30.0
PST1701217MD	17		26.0	30.0
PST1701218MD	18		27.0	30.0
PST1701219MD	19		28.0	30.0
PST1701220MD	20		29.0	30.0
PST1701221MD	21		29.8	29.8
PST1701222MD	22		31.8	14.0
PST1701223MD	23		31.8	30.0
PST1701224MD	24		33.8	30.0
PST1701227MD	27		37.8	30.0
PST1701230MD	30		41.8	30.0
PST17012312MD	32		43.8	30.0



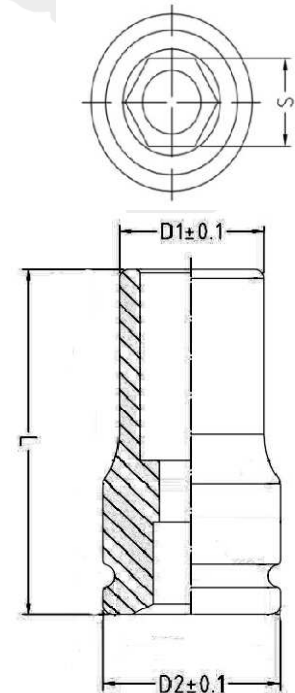
3/4" DR. standard impact socket 3/4"氣動套筒

ITEM NO.(型號)	SIZE(inch)	L(mm)	D1(mm)	D2(mm)
PST1703424	3/4"	50	32	44
PST1703426	13/16"	50	35	44
PST1703428	7/8"	50	36	44
PST1703430	15/16"	50	39	44
PST1703432	1"	50	40	44
PST1703434	1-1/16"	50	42	44
PST1703436	1-1/8"	50	44	44
PST1703438	1-3/16"	53	46	44
PST1703440	1-1/4"	56	48	44
PST1703442	1-5/16"	56	50	44
PST1703444	1-3/8"	56	52	44
PST1703446	1-7/16"	56	55	44
PST1703448	1-1/2"	57	56	44
PST1703450	1-9/16"	57	58	44
PST1703452	1-5/8"	57	60	44
PST1703454	1-11/16"	62	63	44
PST1703456	1-3/4"	62	66	44
PST1703458	1-13/16"	62	66	44
PST1703460	1-7/8"	68	68	44
PST1703462	1-15/16"	68	71	54
PST1703464	2"	68	72	54



3/4" DR. long impact socket 3/4"長氣動套筒

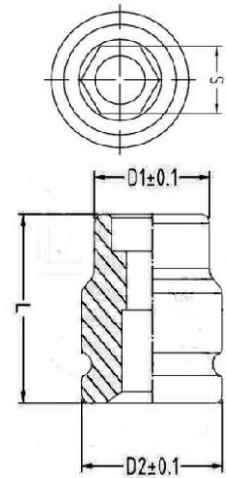
ITEM NO.(型號)	SIZE(inch)	L(mm)	D1(mm)	D2(mm)
PST1703424D	3/4"	90	32.0	44
PST1703426D	13/16"	90	35.0	44
PST1703428D	7/8"	90	36.0	44
PST1703430D	15/16"	90	39.0	44
PST1703432D	1"	90	40.0	44
PST1703434D	1-1/16"	90	42.0	44
PST1703436D	1-1/8"	90	44.0	44
PST1703438D	1-3/16"	90	46.0	44
PST1703440D	1-1/4"	90	48.0	44
PST1703442D	1-5/16"	90	50.0	44
PST1703444D	1-3/8"	90	52.0	44
PST1703446D	1-7/16"	90	55.0	44
PST1703448D	1-1/2"	90	56.0	44
PST1703450D	1-9/16"	90	58.0	44
PST1703452D	1-5/8"	90	60.0	44
PST1703454D	1-11/16"	90	63.0	44
PST1703456D	1-3/4"	90	66.0	44
PST1703458D	1-13/16"	90	66.0	44
PST1703460D	1-7/8"	90	68.0	44
PST1703462D	1-15/16"	95	71.0	54
PST1703464D	2"	95	72.0	54



3/4" DR. standard impact socket 3/4"氣動套筒



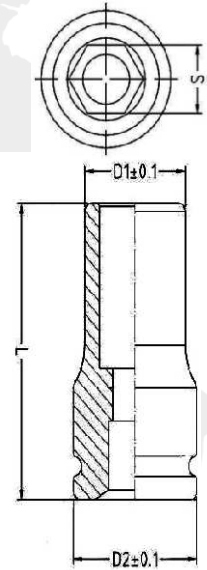
ITEM NO.(型號)	SIZE(mm)	L(mm)	D1(mm)	D2(mm)
PST1703424M	24	50	39	44
PST1703426M	26	50	41	44
PST1703427M	27	50	42	44
PST1703429M	29	53	46	44
PST1703430M	30	53	46	44
PST1703432M	32	56	48	44
PST1703433M	33	56	50	44
PST1703435M	35	56	52	44
PST1703436M	36	56	54	44
PST1703438M	38	57	56	44



3/4" DR. long impact socket 3/4"長氣動套筒



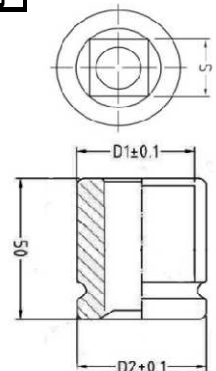
ITEM NO.(型號)	SIZE(mm)	L(mm)	D1(mm)	D2(mm)
PST1703424MD	24	90	39.0	44
PST1703426MD	26	90	41.0	44
PST1703427MD	27	90	42.0	44
PST1703429MD	29	90	46.0	44
PST1703430MD	30	90	46.0	44
PST1703432MD	32	90	48.0	44
PST1703433MD	33	90	50.0	44
PST1703435MD	35	90	52.0	44
PST1703436MD	36	90	54.0	44
PST1703438MD	38	90	56.0	44



3/4" DR. square impact socket 3/4"四角氣動套筒

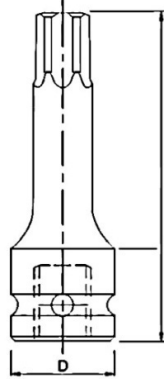
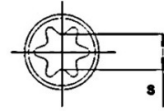


ITEM NO.(型號)	SIZE	L(mm)	D1(mm)	D2(mm)
PST1703417MS	17mm	50	40	40
PST1703421MS	21mm	50	42	42
PST1703426S	13/16"(in)	50	42	42



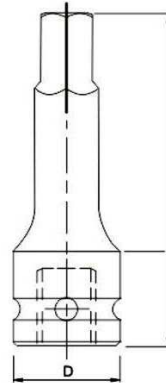
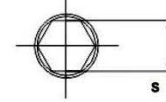
torx impact bit socket 氣動星型凸套筒

ITEM NO.(型號)	SIZE(mm)	L(mm)	D1(mm)
PSB1701225T	T-25	78	25
PSB1701227T	T-27		
PSB1701230T	T-30		
PSB1701240T	T-40		
PSB1701245T	T-45		
PSB1701250T	T-50		
PSB1701255T	T-55		
PSB1701260T	T-60		
PSB1701270T	T-70		
PSB1701280T	T-80		



hex impact bit socket 氣動六角套筒

ITEM NO.(型號)	SIZE(mm)	L(mm)	D1(mm)
PSB17012H5M	H-5	78	25
PSB17012H6M	H-6		
PSB17012H7M	H-7		
PSB17012H8M	H-8		
PSB17012H10M	H-10		
PSB17012H12M	H-12		
PSB17012H14M	H-14		
PSB17012H17M	H-17		
PSB17012H19M	H-19		



1/2" impact middle-deep 12PT socket 1/2"氣動12角凸套筒

ITEM NO.(型號)	SIZE	L(mm)	D1(mm)
PSB17012M12	M12	78	25
PSB17012M14	M14		
PSB17012M16	M16		
PSB17012M18	M18		

