



CHE YEN INDUSTRIAL CO., LTD

啓運興業股份有限公司

3rd FL, 108 Lite St., Chungho District, Xinbei City 235 Taiwan

Tel: 886-2-2223-8500 Fax: 886-2-2223-5708

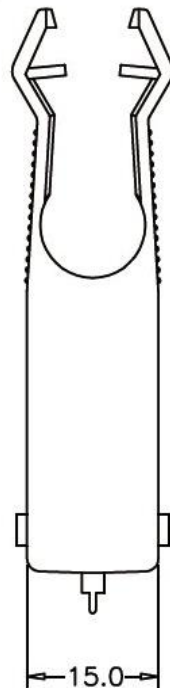
Website: <http://www.che-yen.com.tw>

Email: borfuse@ms29.hinet.net

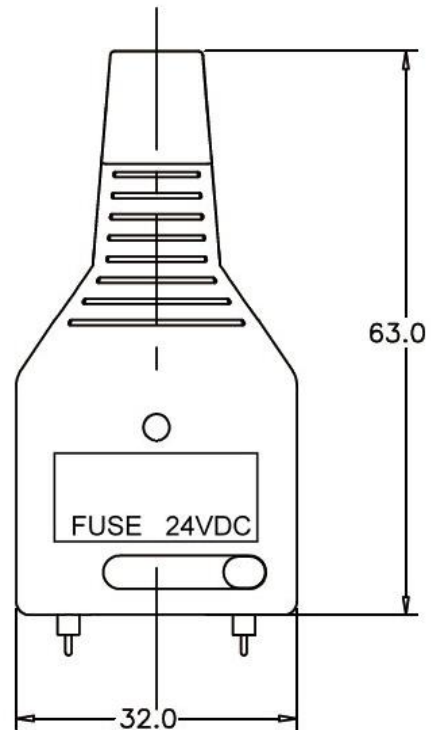
品名 ITEM NO.	100-997	圖名 MODEL	Combination Fuse Tester/Puller (ATO, ATM, MAXI)	製圖 DRAWN	校對 DESIGNED BY	核准 APPROVED
版次 REVISION NO.	日期 DATE		改定內容 REVISION	Paul Chao	Borll Chao	James Lin
1.0	5/25/2018					



(FUSE PULLER)



(FUSE TESTER)



Feature:

Designed to identify blown fuse in fuse panel or fuse box.

Fuse tester can be used on different size fuses by sliding the test probe to the appropriate position of the fuse being tested.

Green LED lights when fuse is good.

Specification:

- * Part No: 100-997
- * Puller for all type blade fuse
- * Applications: ATY-N (ATO/ATC), MIN-N (ATM) & MAX-N (MAXI)Fuse
- * Housing Material: Plastic, Color: Orange
- * Probe: Copper
- * Probe diameter: 0.65mm
- * Probe finishing: Tin-Plated
- * Product not UL Listed

尺寸依據圖示數字 DON'T SCALE DRAWING	單位 UNIT	mm	一般公差 TOLERANCE CLASS	± 0.2	* 工程承認圖面 *
---------------------------------	------------	----	-------------------------	-------	------------