

Build to be bright.



NIKEN VEHICLE LIGHTING CO., LTD.

ADDRESS NO.735, SEC. 1, JHANGSHUEI RD., SIOUSHUEI TOWNSHIP,
CHANGHUG COUNTRY 50447, TAIWAN

TEL +886-4-7612995 FAX +886-4-7614495

HTTP://WWW.NIKEN.COM.TW

EMAIL niken@niken.com.tw

2018-19
PRODUCT OVERVIEW

WWW.NIKEN.COM.TW

NIKEN®

Build to be bright.

We, **NIKEN** Vehicle Lighting Co., Ltd, were established in 1976 as a professional manufacturer, exporter, OEM & ODM of car tuning in Taiwan for nearly 40 years. We achieved ISO9001 quality assurance certificate in 2001, SA8000 Social Accountability certificate in 2010 and our product also passed many international certificates, such as E-mark, CE, RoHS and FCC.

We have the best sales group, professional R&D department for LED auto/motorcycle LED lamp and accessories and experienced manufacture factory. **NIKEN** is also one of T2 suppliers of Toyota and Subaru and continuously develops a series of LED Lamps, USB Car Adapter and specific car chrome style accessories to meet consumer's requirements. Besides developing our **NIKEN** product series, we constantly make efforts for all friends who need LED lamp or interest in the field in order to provide the professional service and create the best value for each other.

Do you want some cool stuff to make up your car to be fashionable and specific? **NIKEN** is your best choice!

Innovative & Professional R&D team, Accumulated & Enhanced Production experience, Strict & Precise Quality Assurance Process, Provide High Quality, High Performance and High Value product for satisfying / exceeding customer expectation.



Air Leak Tester



Thermal Shock Test Chamber



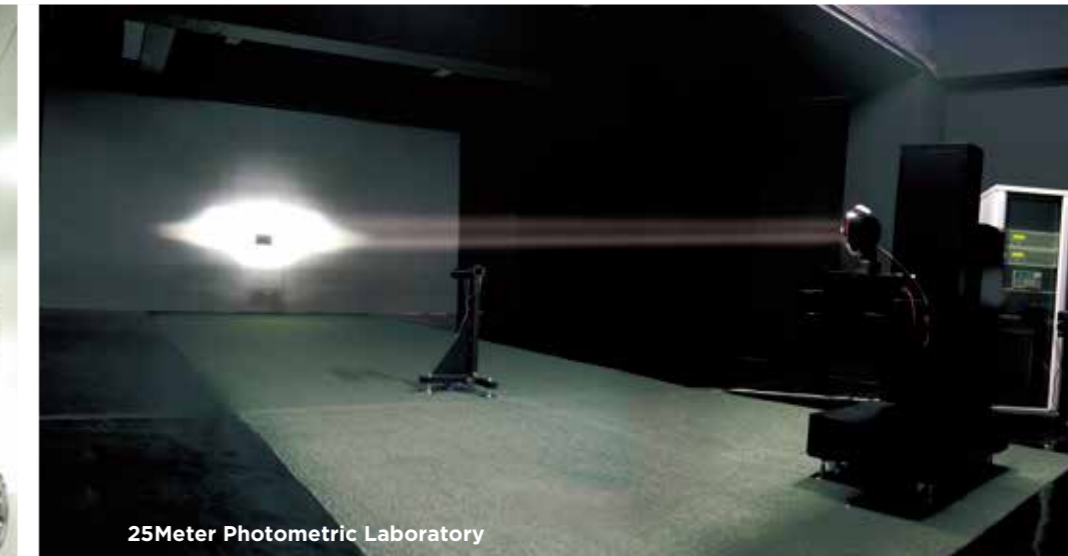
Temperature & Humidity Test Chamber



Salt Spary Tester



Cleanroom Entrance-Air Shower



25Meter Photometric Laboratory



Cleanroom- ISO 14644 Class 8

LED WORK LAMP

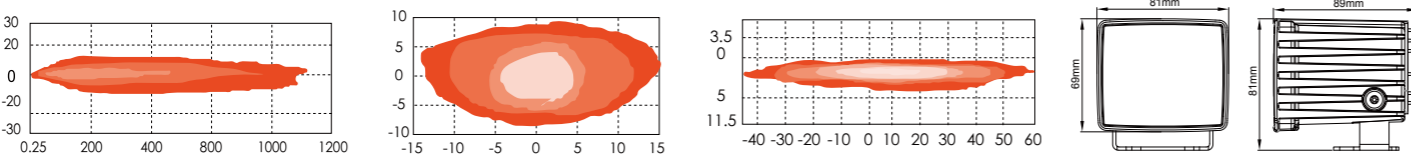
NKO307

ECE R112 CLASS B/SAE J581

- ITEM NO 10020721
- FUNCTION DRIVING (SPOT)

DESCRIPTION

- LENS POLYCARBONATE
- REFLECTOR POLYCARBONATE
- HOUSING POLYCARBONATE
- LED CREE *1PCS
- BRACKET SPCC
- ELECTRONICS DC 9~33V



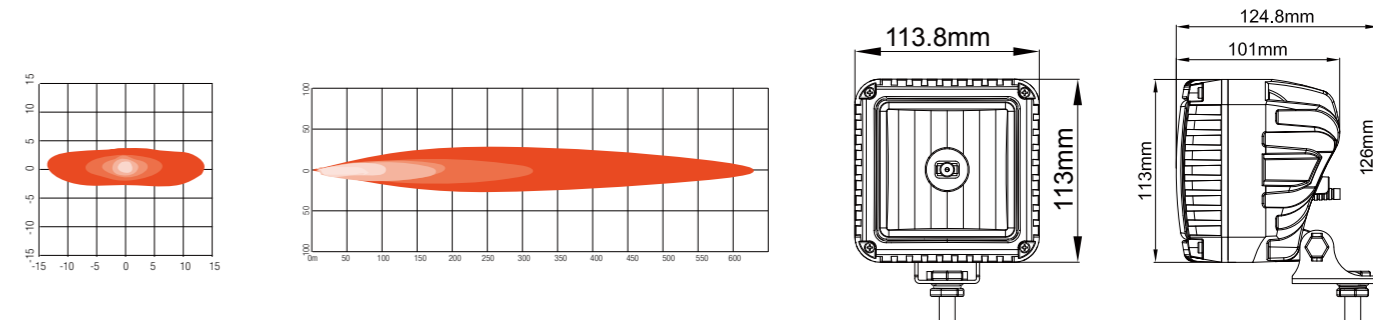
HALOGEN WORK LAMP

NKO418

- ITEM NO 10020810
- FUNCTION BEAM PATTERNS:10°(SPOT)

DESCRIPTION

- FRONT FRAME POLYAMIDE66+GLASS FIBRE30%
- LENS BORAX GLASS
- REFLECTOR SPCC
- HOUSING POLYAMIDE66+GLASS FIBRE30%
- BULB H3
- BRACKET STAINLESS STEEL
- ELECTRONICS DC 12V



LED WORK LAMP

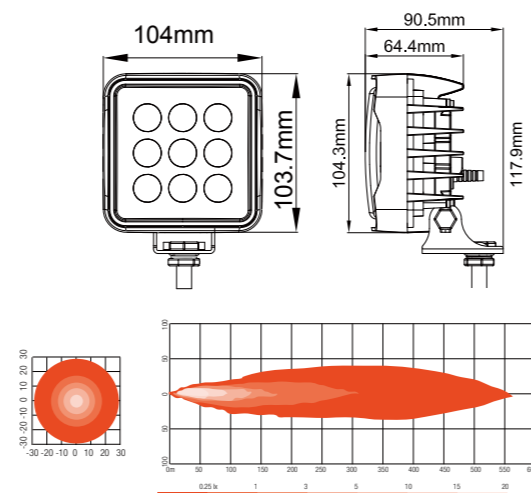
NKO417

GLASS LENS 3000LM

- ITEM NO 10020808
- FUNCTION BEAM PATTERNS:10°(SPOT)

DESCRIPTION

- LENS BORAX GLASS
- INNER LENS PMMA
- REFLECTOR SPCC
- HOUSING ALUMINUM ALLOYS DIE-CASTING
- LED SEOUL *9PCS
- BRACKET STAINLESS STEEL
- ELECTRONICS DC 9~33 V
- LUMENS RAW LUMENS 3000LM
EFFECT LUMENS 2000LM



HALOGEN WORK LAMP

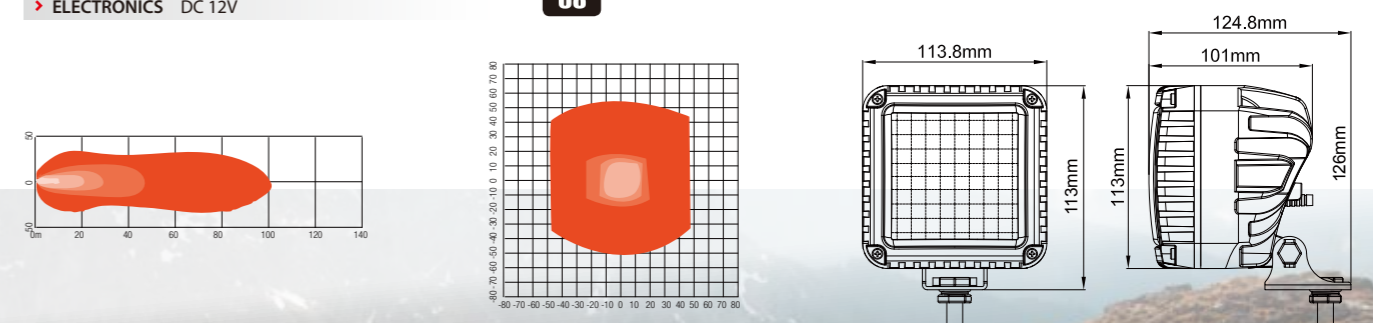
NKO418

GLASS LENS HALOGEN

- ITEM NO 10020811
- FUNCTION BEAM PATTERNS:35°(FLOOD)

DESCRIPTION

- FRONT FRAME POLYAMIDE66+GLASS FIBRE30%
- LENS BORAX GLASS
- REFLECTOR SPCC
- HOUSING POLYAMIDE66+GLASS FIBRE30%
- BULB H3
- BRACKET STAINLESS STEEL
- ELECTRONICS DC 12V



LED WORK LAMP

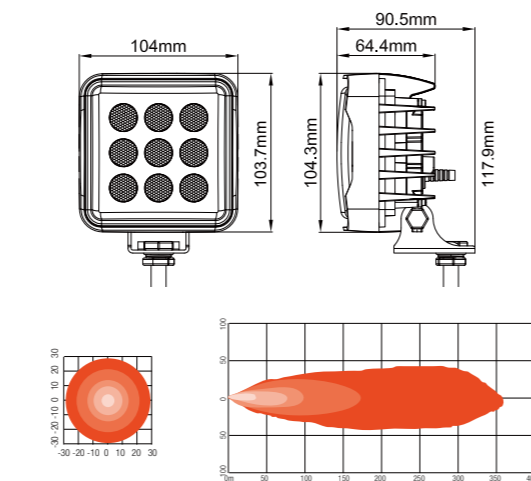
NKO417

GLASS LENS 3000LM

- ITEM NO 10020809
- FUNCTION BEAM PATTERNS:20°(SPOT)

DESCRIPTION

- LENS BORAX GLASS
- INNER LENS PMMA
- REFLECTOR SPCC
- HOUSING ALUMINUM ALLOYS DIE-CASTING
- LED SEOUL *9PCS
- BRACKET STAINLESS STEEL
- ELECTRONICS DC 9~33 V
- LUMENS RAW LUMENS 3000LM
EFFECT LUMENS 2000LM



REPLACEMENT TYPE - LED LICENSE PLATE LAMP

NKLO13 OP◇L

ECE R4
 > ITEM NO 10020468
DESCRIPTION
 > LENS POLYCARBONATE
 > LED 3PCS



FOR ASTRA F ESTATE 91'~98'
 G SALOON 98'~05'
 CORSA B 93'~00'
 OMEGA A 86'~94'
 B 94'~03'
 VECTRA B 99'~02'
 B ESTATE 96'~03'
 ZAFIRA 99'~05'
 OE# 1224143



NKLO14 PEUG◇OT / CITRO◇N

ECE R4
 > ITEM NO 10020527
DESCRIPTION
 > LENS POLYCARBONATE
 > LED 3PCS



FOR P106/ 107/ 1007
 P 205/ 206/ P206+
 P 306/ 307/ 308/ 3008
 P 405/ 406/ 407
 P 5008
 P 605/ 607
 P 806/ 807
 PARTNER M49/ M59/ B8
 PARTNER TEPEE
 C3/ C3 II/ C3 PICASSO
 C4 PICASSO
 C5/ C5II
 SAXO II 00'~03'
 XSARA/ XSARA II/ XSARA/ PICASSO
 BERLINGO M49/ M59/ B8
 EVASION
 OE# 6340. A3



NKLO15 TOYO

ECE R4
 > ITEM NO 10020669
DESCRIPTION
 > LENS POLYCARBONATE
 > LED 3PCS



FOR TOYO
 LAND CRUISER 200(UJ200)98-13
 LAND CRUISER 100(UZJ100)
 L&XUS
 GX470(UZJ120)03-09
 LX470 (UZJ100)98-07



NKLO16 VW

ECE R4
 > ITEM NO 10020387
DESCRIPTION
 > LENS POLYCARBONATE
 > LED 3PCS



FOR GOLF 6 / GOLF 5 / GOLF 4
 LUPO 99'~06'
 POLO 00'~
 EOS
 SCIROCCO 09'~
 PASSAT 4D 06'~09'
 PASSAT CC
 NEW BEETLE 06'~
 OE# 1K8 943 021
 1J6 943 021
 3D0 943 021A
 3C5 943 021
 1K8 943 021C



NKLO17 VW / PORSCHE

ECE R4
 > ITEM NO 10020333
DESCRIPTION
 > LENS POLYCARBONATE
 > LED 2PCS



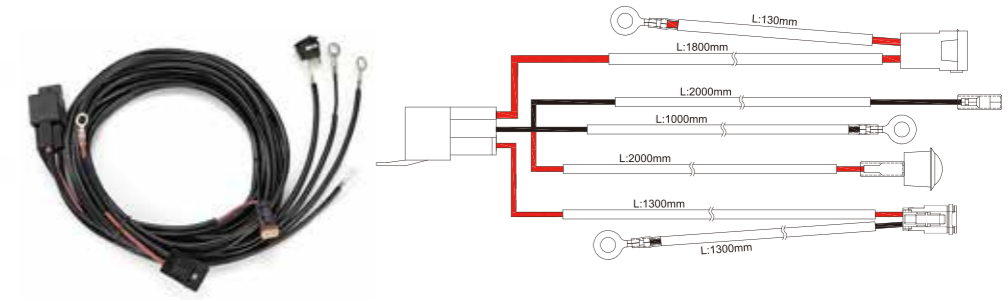
FOR EOS 06'~
 GOLF 4 / GOLF 5
 LUPO 99'~06'
 POLO 00'~
 PASSAT 06' PASSAT CC
 NEW BEETLE 06'~
 PORSCHE 997 04'~11'
 OE# 1J6 943 021
 3D0 943 021A
 3C5 943 021



ACCESSORIES - WIRE HARNESS

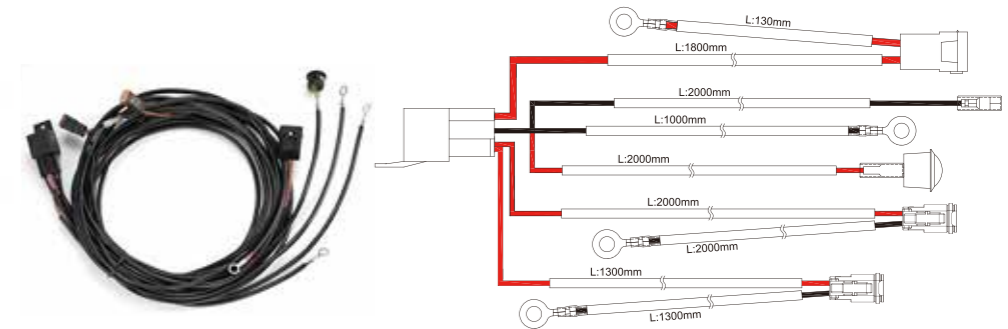
> ITEM NO 10020880
DESCRIPTION
 > for NK0705 NK1105 NK2005
 > LENGTH 2.2m 12V DT CONNECTOR
 > WITH SWITCH · RELAY

FOR SINGLE LAMP



> ITEM NO 10020881
DESCRIPTION
 > for NK0705 NK1105 NK2005
 > LENGTH 4m 12V DT CONNECTOR
 > WITH SWITCH · RELAY

FOR PAIR LAMPS

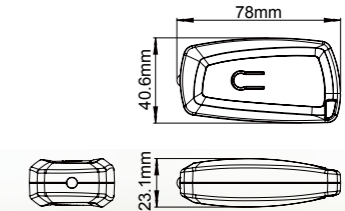


ACCESSORIES - WATER ENERGY FLASHLIGHT

> ITEM NO 10020764
DESCRIPTION
 > HOUSING ABS
 > LED SUPER WHITE *1PC

ONLY WATER OPERATION

- 1.Eco-friendly product.
- 2.No more traditional batteries required.
- 3.Operated with water only.
- 4.Life span over 48 hours.
- 5.Reusable after refilling water.



ACCESSORIES - VEHICLE SOCKET with USB CHARGER

ECE R10

› ITEM NO 10130239

DESCRIPTION

› HOUSING Flame Retardant ABS

› INPUT 12V

› OUTPUT 4.8A 5V/12V



ECE R10

› ITEM NO 10130238

DESCRIPTION

› HOUSING Flame Retardant ABS

› INPUT 12V

› OUTPUT 4.8A 5V/12V



ECE R10

› ITEM NO 10130240

DESCRIPTION

› HOUSING Flame Retardant ABS

› INPUT 12V

› OUTPUT 4.8A 5V/12V



ECE R10

› ITEM NO 10130251

DESCRIPTION

› HOUSING Flame Retardant ABS

› INPUT 12V

› OUTPUT 2.4A 5V/QC 3.0/12V



ECE R10

› ITEM NO 10130252

DESCRIPTION

› HOUSING Flame Retardant ABS

› INPUT 12V

› OUTPUT 2.4A 5V/QC 3.0/12V



ECE R10

› ITEM NO 10130253

DESCRIPTION

› HOUSING Flame Retardant ABS

› INPUT 12V

› OUTPUT 2.4A 5V/QC 3.0/12V

