

OIL FILTER WRENCH

Extra-durable diamond sand coating

Interchangeable clamp:
Choice of clamps
to easily fit any oil filter



Triangular Prism Clamp:
Effectively holds oil filter during operation.

Grip::
Diamond sand coating
with groove design
to ensure 100% grip
with no slippage during operation

Max. Torque:
Gear body & clamp torque
150Nm ↑ (40 series),
250Nm ↑ (56, 72 series)

Dual Rotatory Driven-Shaft:
Fast two-way adjustability
by rotating shaft to fit oil filter quickly

Magnet:
Strong magnetization enables wrench
to hold oil filter for easy operation

Non-slip :
Non-slip pad increases friction
on oil filter surfase for easy operation



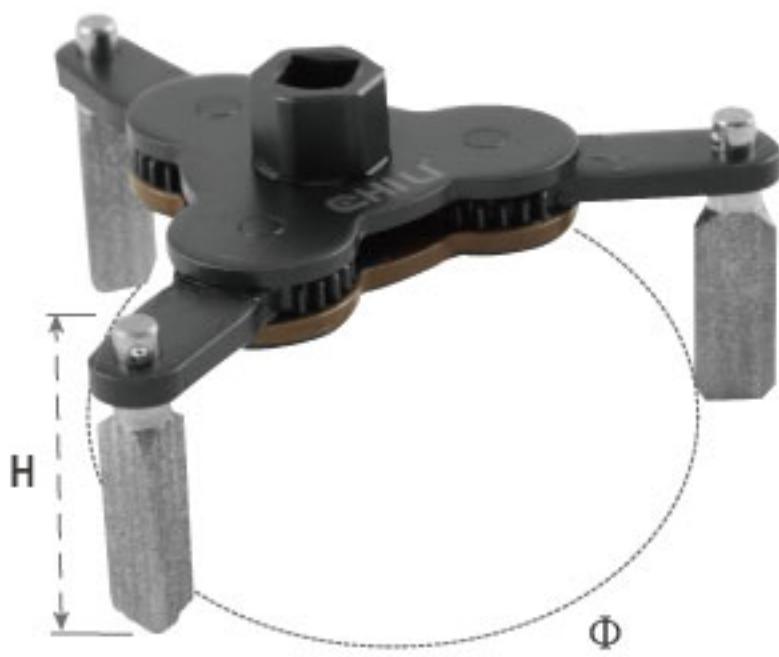
HD Material & Heat treatment :
Heavy-duty clamp, gear and body structure for long lasting use

Storage & Limited space
Body rotation- shrink and clamp-disassembly design
for easy storage & working in narrow space



OIL FILTER WRENCH

- Raw material: CR-MO
- Finishing: Phosphate sunk



A0F35140-56

CHILI	Drive		Φ mm	H mm	Max. torque Nm	kg	Packing	Packing way
	mm	inch						
A0F35100-36	16	3/8	55 ~ 100	36	150 ↑	0.31	1/20	slide blisters
A0F35100-56	16	3/8	55 ~ 100	56	150 ↑	0.33	1/20	kraft box
A0F35140-56	23	1/2	80 ~ 140	56	250 ↑	0.64	1/20	blow case
A0F35140-66	23	1/2	80 ~ 140	66	250 ↑	0.67	1/20	blow case
A0F35180-56	23	1/2	125 ~ 180	56	250 ↑	0.75	1/20	kraft box
A0F35180-66	23	1/2	125 ~ 180	66	250 ↑	0.78	1/20	kraft box



A0F351008X



A0F351009X



A0F351807X

CHILI	PC./ SET	Drive		Φ mm	H mm	kg	Packing	Packing way
		mm	inch					
A0F351008X	8	16	3/8	55 ~ 100	36,56	0.74	1/20	blow case
A0F351009X	9	16	3/8	55 ~ 100	36,56	0.83	1/20	blow case
A0F351807X	7	23	1/2	125 ~ 180	56,66	1.14	1/20	blow case



OIL SERVICE

TIP SEAL PULLER

- Raw material: 420J2
- Grip material: PP+TPR
- Finishing: Electro Polished
- Features:
 - .Ergonomic solid grip design with hanger hole
 - .Solid forged body from single piece of stainless steel
 - .Two different hook tips designed for easy removal of oil and grease seals



CHILI	W (mm)	T(mm)	L (mm)	g	Box/Tray
AOPT	83	6	315	380	10/50

SEAM SPLITTER

- Raw material: 420J2
- Grip material: PP+TPR
- Finishing: Electro Polished
- Features:
 - .Ultra-comfort, soft rubber enclosed body can absorb shock and lessen hand fatigue during use
 - .Rigid stainless steel blades with go-through shaft, fast and efficient in separating spot welds, bonded panels, and other pinch welds on auto body repair work



CHILI	∠°	T(mm)	L (mm)	g	Box/Tray	CHILI	g	Box/Tray
ABS71T	0	6	300	298	5/60	ABS7T3X	1008	2/12
ABS73T	30	6	300	298	5/60			
ABS79T	90	6	245	298	5/60			

Packing way : tray