

AUTOMOTIVE FUSE- BLADE TYPE

A-1 BLADE AUTO FUSE BY U.L. LISTED

RoHS

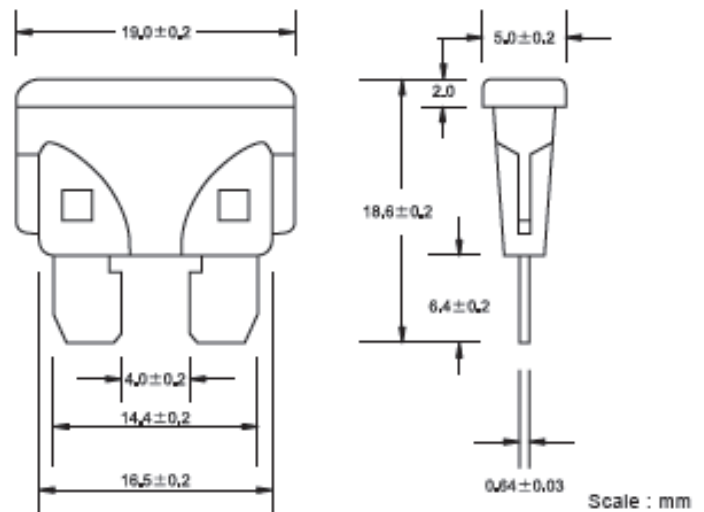
Part No. : ATY-N/UL series

- Fast Acting, Low Voltage For UP To 32V DC.
- Material : * Body : Plastic.
* Metal : Zinc Alloy. with Tin Plating.
- Standard : SAE J1284.
- Circuit Protection To Replace Fusible Wire Or Fusible Link.
- Fuses Are Color-Coded For Easy Amperage Identification.
- Approval: Listed by UL Certified.



Ordering Information

Part Number	Ampere (A)	Voltage (VDC)	Body Color
ATY-N / UL 3	3A	32 V	Violet
ATY-N / UL 4	4A	32 V	Pink
ATY-N / UL 5	5A	32 V	Tan
ATY-N / UL 7.5	7.5 A	32 V	Brown
ATY-N / UL 10	10 A	32 V	Red
ATY-N / UL 15	15 A	32 V	Blue
ATY-N / UL 20	20 A	32 V	Yellow
ATY-N / UL 25	25 A	32 V	Natural
ATY-N / UL 30	30 A	32 V	Green



Specifications :

Opening Time / Pre-arcing Time :

In	1.1 In	1.35 In		2.0 In		3.5 In		6.0 In	
3-30 A	>100 Hours	Min.	Max.	Min.	Max.	Min.	Max.	Min.	Max.
		0.75 s	1800 s	0.15 s	5 s	0.04 s	0.5 s	0.02 s	0.1 s

Interruption Rating : 1000 Amperes @ 32V DC