

TW



The Best and The Shiniest Stainless Steel Bolt-on Dually Wheel Simulator

First-Grade #304 Stainless Steel Wheel Simulators for
Medium-duty Japanese Trucks/Buses
Isuzu Elf, Mitsubishi Fuso Canter, Hino, Toyota Coaster etc.



Part#	Wheel Size	Lug	Steel Wheel Type	PCD(mm)	Application
CJ-610	16"	6	Topy 16x6.00GS-127, tube-type	222.25	4-Ton Isuzu Elf
CJ-620	16"	6	Topy 16x6.00GS-135, tube-type	222.25	4-Ton Mitsubishi
CJ-630	16"	5	Topy 16x 5.50F-115, tube-type	208	2-Ton Mits. Canter/ Rosa
CJ-640	15"	5	Topy 15x 5.50F-115, tube-type	208	2-Ton Isuzu Elf
CJ-815	16"	5	Topy 15x 5.50F-115, tube-type	203.2	Toyota Coaster bus



SHINIEST INDUSTRIES, INC.

9F-5, No. 189, Keelung Road, Sec. 2, Taipei 11054, Taiwan
Tel: +886-2-2377-4175 Fax: +886-2-2377-3942
E-mail: sales@shiniest.com.tw <http://www.shiniest.com.tw>



The Best and The Shiniest

Stainless Steel Wheel Trims For American & Japanese Trucks/Buses





The Best and The Shiniest Stainless Steel Locking-ring Wheel Trim

Deluxe Style Wheel Trim & Trim Ring

50225F

For 22.5" Front Wheel



20225R-A

For 22.5" Rear Wheel
& Super single Front



30225R-82

Size: 22.5", Depth: 82mm

30195R-82

Size: 19.5", Depth: 82mm

30175R-70

Size: 17.5", Depth: 70mm



20195F-A

For 19.5" Front Wheel



20195R-A

For 19.5" Rear Wheel



20175F-A

For 17.5" Front Wheel



20175R-A

For 17.5" Rear Wheel



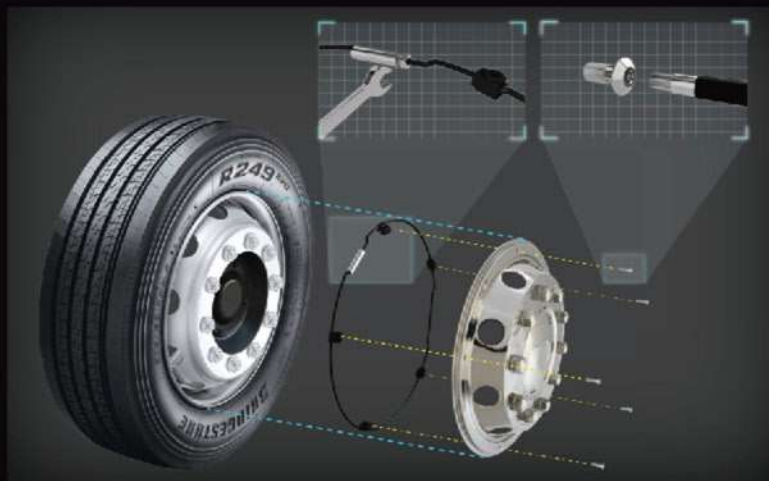
21225R-A

22.5" Super Deluxe Rear
Depth: 158mm



"Locking-Ring" UNIVERSAL Wheel Fitting System

- *Easiest and most secure wheel trim mounting system.
- *Shock-absorbing design to protect wheel trim in bumping road.
- *Anti-theft design to protect wheel trim from being stolen.
- *No need to remove original wheel nuts to avoid warranty issue.



The Best and The Shiniest S/S Wheel Simulator & Plastic Hub Cover

CS18N: 17" Stainless Steel Wheel Simulator for 2011~up Chevrolet Silverado/ GMC Sierra 3500 HD With 17" 8-Lug, PCD: 210mm, 5 Hand-Hole



Full Set Includes:

- 2 pcs. – Front Liner (stainless steel)
- 2 pcs. – Rear Liner (stainless steel)
- 2 pcs. – O.E.-style Front Hub Cover (chromed plastic)
- 2 pcs. – O.E.-style Rear Hub Cover (chromed plastic)
- 4 pcs. – Φ 90mm Hub Center, Aluminum Emblems

FC68: 16" Stainless Steel Wheel Simulator for 1968~98 Ford 2W, 73~00 GM C/K 2WD With 16"x6", 8-Lug, PCD: 165.1mm, 4 Hand-Hole



Full Set Includes:

- 2 pcs. – Front Liner, 2 pcs. – Rear Liner, 2 pcs. – Front Hub Cover,
- 2 pcs. – Rear Hub Cover, 4 pcs. – Bolt-on Mounting Ring



The Best and The Shiniest Stainless Steel Bolt-on Dually Wheel Liner

54175 for Hino 500 FC/FD, 2003~up [41mm nuts]
17.5"x6.75", 6-Stud PCD: 222.25mm, Offset 135mm



54175B for Isuzu NPR, 2008~up [41mm nuts]
17.5"x6.00", 6-Stud PCD: 222.25mm, Offset 127mm



57016 for Toyota Coaster, 1982~up [41mm nuts]
16"x5.50F, 5-Stud PCD: 203.2mm, Offset 115mm



60016 for Mitsubishi Fuso Rosa,
16"x5.50F, 5-Stud PCD: 208mm, Offset 115mm
2013~up [41mm nuts], 2001~12 [38mm nuts]



70016-18 for Mercedes-Benz Sprinter, 2012~up
Wheel Specs.: 16"x5.5", 6-Stud PCD: 205mm,
Offset: 109.5mm, [19mm nuts]



51016 for Ford Transit 350HD, 2014~up
Wheel Specs.: 16"x6.0", 6-Stud PCD: 180mm,
Offset: 112mm, [21mm nuts]



The Best and The Shiniest Axle Cover, Nut Cover, Nut-cap Puller

Chromed ABS Axle Covers



AXP-10285FD
Front Axle Cover,
with Removable cap,
dome-shape



AXP-10285RC
Rear Axle Cover,
with Removable cap,
cone-shape

Chromed ABS Nut Covers

For 22.5"/24.5" 10-Lug PCD: 285.75mm wheels



	Part No.	Size/Type
A	PNC33-S1	33mm, screw-on
B	PNC33-S2	33mm, screw-on
C	PNC33-S3	33mm, screw-on
D	PNC38-P1	38mm, push-on
E	PNC33-P1	33mm, push-on
F	PNC33-P2	33mm, push-on
G	PNC38-P2	38mm, push-on

Multi-Fit 32/33mm Nutcaps

SNC3233D-A, Φ 26mm logo base
SNC3233-A, with domed top
Polished Stainless Steel, with Internal
Arch Nylon Holder



NP-3832
Nutcap puller

22.5" Stainless Steel Axle Covers

AX-225FO
Front Wheel Center Cap
 Φ 220.5mm



AX-225RC
Closed Rear Axle Cover
 Φ 220.5mm



AR-10285
Fixing Ring
10-Hole PCD: Φ 285.75mm



AX-225RO
Open Rear Axle Cover
 Φ 220.5mm



Polished Stainless Steel Nut Caps



20-pc. Blister Pack





The Best and The Shiniest Chromed ABS+PC Wheel Simulators

17", 19.5" O.E. Style Wheel Simulator

Model No.CH-101

17" for GMC 3500, 08~10 Dually



Model No.CH-102

17" for GMC 3500, 11~up Dually



Model No.CH-103

17" for Ford F-350 Dually, 2005~up



Model No.CH-104

19.5" for Ford F-450/550 Dually, 2005~up



22.5" Alloy Wheel Simulator

- * Striking alloy wheel design enhances your truck/bus with brand new shiny alloy wheel look.
- * Easy mounting brackets fit most 22.5"x8.25" & 9" steel or aluminum wheels on the market.

22.5" Front



22.5" Rear



For American Truck Wheels
with 10-Lug PCD: 285.75mm

Front Wheel:

CH-201F-A-ST, for steel wheel
CH-201F-A-AL, for alloy wheel

Rear wheel:

CH-201R-A-ST, for steel wheel
CH-201R-A-AL, for alloy wheel

For European Truck Wheels
with 10-Lug PCD: 335mm

Front Wheel:

CH-201F-E-ST, for steel wheel
CH-201F-E-AL, for alloy wheel

Rear wheel:

CH-201R-E-ST, for steel wheel
CH-201R-E-AL, for alloy wheel



The Best and The Shiniest Stainless Steel Dually Wheel Simulator

17001-TW

17", 8-Lug
Dodge Ram 3500 Dually 2002~2013
*Universal Snap-on Mount.
Full set includes: 2 pcs – Front Cover,
2 pcs. – Rear Cover



19502G-TW

19.5"x6" 10-Lug PCD: 225mm
Ford SD450/550
*Over-the-Lug Mount
Full set includes: 2 pcs. – Front cover,
2 pcs. – Rear Cover, 20 pcs. – Mounting Jam-nut cover
1 pc. – Removal Tool



22501FD-TW 22.5"x8.25"

22501FE-TW 22.5"x7.5"

24501FD-TW 24.5"x8.25"

Front Wheel Simulator W/Pop-Off Center
Under-the-Lug Mount
10-Lug PCD: 285.75mm,
2 Hand-Hole
*10 pcs. – Nut Cover for a
front wheel



19501-TW

19.5", 8-Lug PCD: 275mm
GM 1990 Lo Pro, Ford F450/550 1990 Lo Pro,
International 4700/ 4600L Chassis
*Over-the-lug Mount,
Full set includes: 2 pcs. – Front cover,
2 pcs. – Rear Cover, 16 pcs. - Mounting Nut,
16 pcs. - Nut Cover



225H-AL-TW for Aluminum Wheel

225H-ST-TW for Steel Wheel
22.5" Rear Axle Cover (High Hat)10-Lug
PCD: 285.75mm



22501FD-TW 22.5"x8.25"

22501RE-TW 22.5"x7.5"

24501RD-TW 24.5"x8.25"

Rear Wheel Simulator
10-Lug PCD: 285.75mm,
2 Hand-Hole
*10 pcs. – Nut Cover
& 1pc. – Axle
Cover for a
Rear Wheel

